



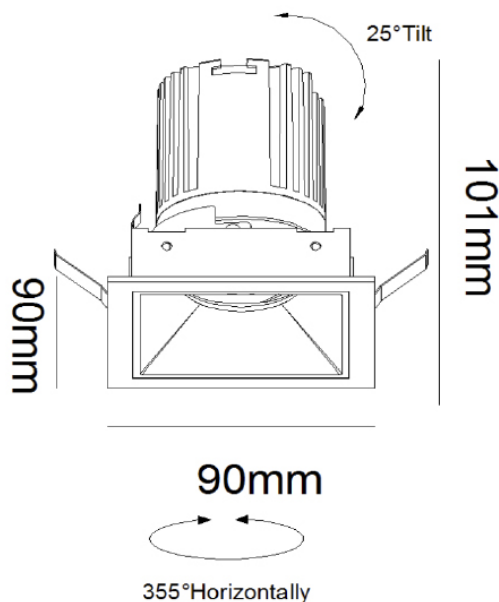
- Very low glare architectural circular downlight with trim or no trim, 25 degree tilt
- Discreet minimal bezel, 7/10 or 12 WATT
- 2700/3000 or 4000k CRI90
- Matt black darklight reflector, minimise glare, honey comb grill to reduce direct glare
- Tridonic LED engine and driver system
- Fitted with an integral IP44 protective lens as standard
- 15/24/or 40° reflector
- Tridonic LED engine and driver system
- Die-cast heat sink
- Short circuit, overload and temperature protection
- Life >60,000h L70/F10
- Operating ambient temperature: -25°C to +30°C
- Can be connected to 220 DC central battery
- Tridonic SLE LED module
- Conforms to BS EN60598

Options

- 3 hour emergency versions
- Self test, or DALI
- Dimming options, Phase DIM, DALI, DSI Switch DIM, 1-10V
- Trimless
- Honey comb baffle

ASX SPECIFICATION

Cat Number	Watts	lumens	CRI	Colour Temp (K)
ASX1227	12	840	90	2700
ASX1230	12	890	90	3000
ASX1240	12	950	90	4000



Add suffix to catalogue number:

PD: Phase dimming. **SD:** Dimming with push to make switch.
DALI: Digital Addressable Lighting Interface. **EM3:** 3 hour emergency.
EM3ST: 3 hour self test emergency. **EM3DALI:** DALI addressable emergency.
HC: Honey comb. **TL:** Trimless.

Please note that with the continuous rapid development in lighting technology, specification values may change. Contact our technical department for details. We reserve the right to amend or change details without prior notification. All performance data is taken at an ambient temperature of +25°C. Lumens and connected system load are subject to an initial tolerance of up to +/- 10%.